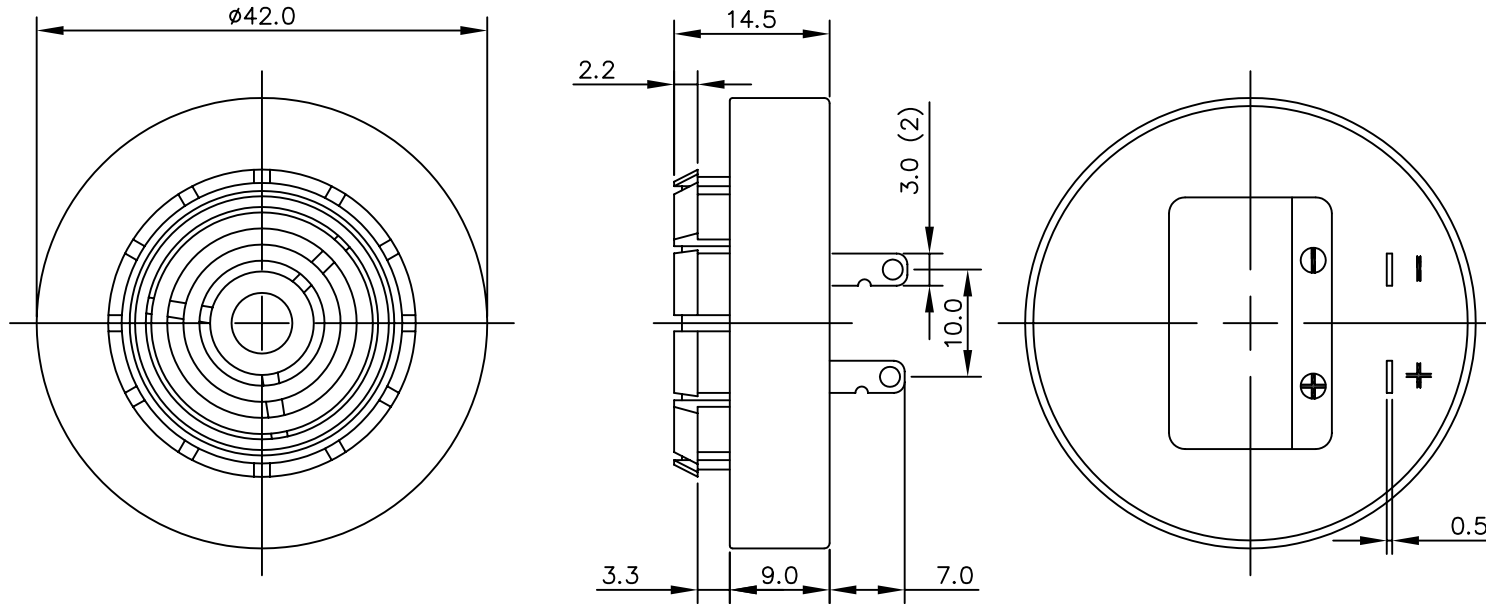


THIS DOCUMENT CONTAINS DATA PROPRIETARY TO PROJECTS UNLIMITED, INC. ANY USE OR REPRODUCTION, IN ANY FORM, WITHOUT PRIOR WRITTEN PERMISSION OF PROJECTS UNLIMITED, INC. IS PROHIBITED.  
© 2003, Projects Unlimited Inc.

### SPECIFICATIONS

PARAMETERS	VALUES	UNITS
RATED VOLTAGE	12	Vdc
OPERATING VOLTAGE RANGE	4 ~ 28	Vdc
RATED CURRENT (MAX)	10	mA
MINIMUM SPL @ 10 cm.	88	dBA
RESONANT FREQUENCY	2,900±500	Hz
TONE OR PULSE RATE	CONTINUOUS	0 PULSE PER SECOND
OPERATING TEMPERATURE	-30 ~ +85	°C
STORAGE TEMPERATURE	-40 ~ +85	°C
HOUSING MATERIAL	NYLON	-
TERMINAL MATERIAL	Sn PLATED BRONZE	-
WEIGHT	13	grams

REVISIONS			
LTR	DESCRIPTION	DATE	APPROVED
-	RELEASED FROM ENGINEERING	7/12/06	




**NOTES:**

1. ALL DIMENSIONS ARE IN MILLIMETERS.
2. SPECIFICATION SUBJECT TO CHANGE OR WITHDRAWAL WITHOUT NOTICE.
3. THIS PART IS RoHS 2002/95/EC COMPLIANT.

THIS PART IS UL RECOGNIZED IN THE USA AND CANADA

FILE NAME  
AI-4228-S-C28-R.DWG

UNLESS OTHERWISE SPECIFIED: DIMENSIONS ARE IN MILLIMETERS, TOLERANCES ARE $\pm 0.5$ AND ANGLES ARE $\pm 3^\circ$ .		 projects <sup>®</sup> unlimited Dayton, Ohio									
<table border="1"> <thead> <tr> <th>APPROVALS</th> <th>DATE</th> </tr> </thead> <tbody> <tr> <td>DRAWN <i>J.D.</i></td> <td>7/06</td> </tr> <tr> <td>CHECKED <i>E.P.</i></td> <td>8/06</td> </tr> <tr> <td>APPROVED <i>R.W.</i></td> <td>8/06</td> </tr> </tbody> </table>		APPROVALS	DATE	DRAWN <i>J.D.</i>	7/06	CHECKED <i>E.P.</i>	8/06	APPROVED <i>R.W.</i>	8/06	<h1>PIEZO INDICATOR</h1>	
APPROVALS	DATE										
DRAWN <i>J.D.</i>	7/06										
CHECKED <i>E.P.</i>	8/06										
APPROVED <i>R.W.</i>	8/06										
<table border="1"> <tr> <td>SIZE A</td> <td>DRAWING NO. AI-4228-S-C28-R</td> </tr> </table>		SIZE A	DRAWING NO. AI-4228-S-C28-R	SCALE: N.T.S. SHEET 1 OF 1							
SIZE A	DRAWING NO. AI-4228-S-C28-R										
DO NOT SCALE DRAWING											